

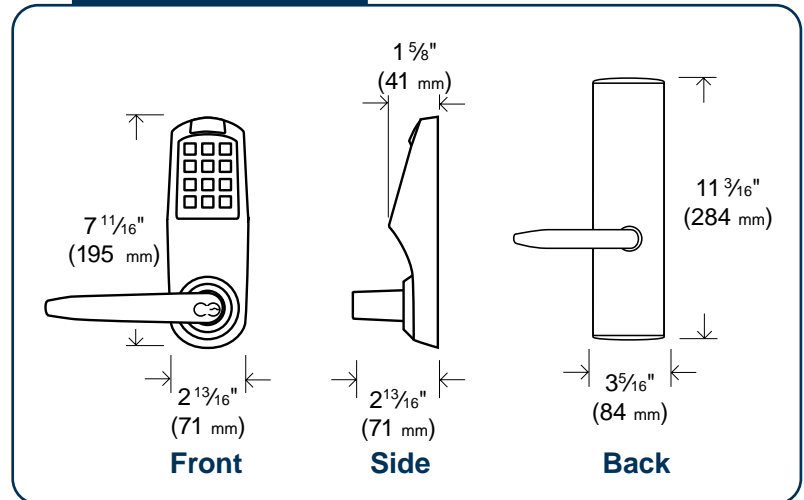
# 4000 SERIES

Electronic Access Control Systems

Specification Sheet  
Access Control at the touch of a button



## Dimensions



## Application

4000 Series locks quickly replace any traditional key operated door lock, providing access with a numerical keypad. Each user or group of users is assigned a 3 to 6 digit code that provides secure access to all rooms they are authorized to enter.

The 4000 is ideal for large office facilities, factories, labs, campuses, or institutions.

## Features

**Number of users:** 54 unique codes

**Combination codes:** 3 to 6 digits per code

**Programming:** Using the lock keypad

**Feedback:** "Dual sensory" audible and visible indicators

**Security levels:** 1 master, 3 managers and 54 users, with 1 service code controlled by both managers and master

**Tamper lockout:** Timed after 4 invalid entry attempts; Programmable duration from 30 sec. to 15 min.

**Emergency access:** Mechanical key override

**Passage mode:** Set by master or manager level

**Unlock time:** Adjustable from 1 to 20 seconds by master level

**Buzzer volume:** Adjustable off/soft/loud by master level

## Lock Specifications

### Mechanical

**Description:** Heavy duty electronic lockset, cylindrical or mortise, with clutch mechanism; activated by numeric combination code

**Handing:** Left or right factory handed, field reversible

**Numeric keypad:** Vandal resistant, 12-button, metal keys

**Weight:** 8 lbs. (3.6 kg)

**Standard finishes:** Satin Chrome (626), Satin Brass (606)

**Optional finishes:** Bright Brass (605), Bright Chrome (625), or Duranodic (695)

### Electrical

**Batteries:** 4 x AA (alkaline type only)

**Battery life:** Up to 80,000 openings or 4 years

**Low battery:** Visible indicator

### Installation

**Door preparation:** Both drawing and drilling templates provided

**Lever type:** Full return lever or, in the case of door moldings, a short return lever

**Mechanical key override:** In handle; removable core type; key in lever type (C type keyway)

**Compatible removable cores:** Ilco 7 pin, ASSA 6 pin, Best 5,6,7 pin, Medeco 5,6 pin, Schlage 6 pin, Yale 6, 7 pin

**Door thickness:** From 1 3/8" to 2 1/2" (35 mm to 64 mm) **Backset:** 2 3/4" to 2 3/8" (84 mm to 60 mm)

### Certifications and Testing

**Accessibility standard:** Americans with Disabilities Act (ADA)

**Fire rating:** Meets UL 10B and ULC S-104 on fire door rated up to and including 3 hours

**Environmental Outside Housing:** -31°F to 151°F (-35°C to 66°C)

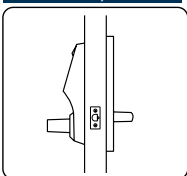
**Operating conditions:** Inside Housing: 32°F to 120°F (0°C to 49°C)

**Electronics:** FCC part 15 class A and CE directive 89/336/EEC compliant

**Durability:** Cylindrical lock meets requirements of ANSI 156.2 Grade 1 for 2 3/4" (84 mm) Backset application

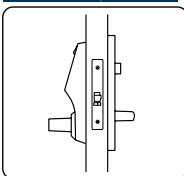
### How to Order

Model L4152, R4152



- Cylindrical Drive Lock
- Combination Entry
- Key Override
- Passage Mode
- Lockout Mode

Model L4126, R4126



- Mortise Lock
- Combination Entry
- Key Override
- Passage Mode
- Lockout Mode



1-800-849-8324  
www.kaba-ilco.com